

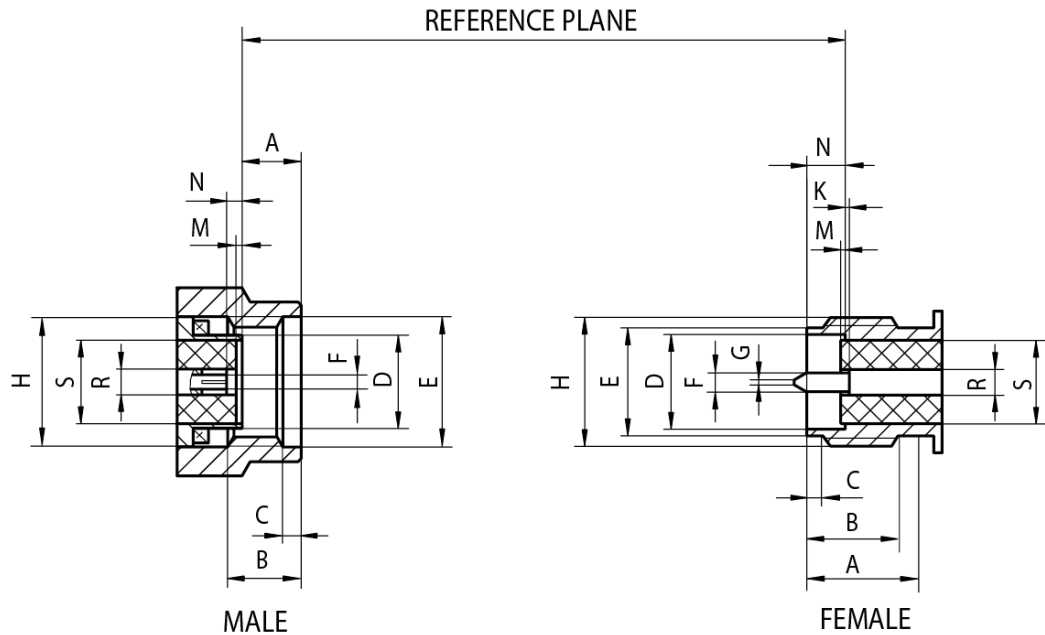
Technical Data

Rosenberger

32R

SMA Reverse

32R-000-000_TD



	Male		Female	
	min.	max.	min.	max.
A	-	3.43	5.54	-
B	2.54	-	4.32	-
C	0.38	1.14	0.38	1.14
D	-	Ø 4.59	Ø 4.60	Ø 4.67
E	Ø 6.35	-	Ø 5.28	Ø 5.49
F	1)		Ø 0.902	Ø 0.94
G	-	-	-	Ø 0.38
H	1/4-36 UNS-2B		1/4-36 UNS-2A	
K	-	-	0.00	0.25
M	-	0.00	-	0.00
N	0.00	0.25	1.88	1.98
R	Ø 1.245	Ø 1.295	Ø 1.245	Ø 1.295
S	-	Ø 4.178	-	Ø 4.178

Dimensions in mm

1) Resilient, dimension to meet electrical and mechanical requirements

Interface

According to

Rosenberger SMA Reverse
compliant with FCC standard (part 15, section 15.203)
derived from IEC 60169-15, MIL-PRF-39012, EN 122110

Dieses Dokument ist urheberrechtlich geschützt • This document is protected by copyright • Rosenberger Hochfrequenztechnik GmbH & Co. KG

RFB00035

Draft	Date	Approved	Date	Rev.	Engineering Change Number	Name	Date
Chr. Janßen	11.03.2019	Chr. Janßen	11.03.2019	a00	19-s083	J_Krautenbac	12.03.2019
Rosenberger Hochfrequenztechnik GmbH & Co. KG P.O. Box 1260 D-84526 Tittmoning Germany www.rosenberger.com						Tel. : +49 8684 18-0 Email : info@rosenberger.com	
							Page 1 / 2

Technical Data**Rosenberger**

32R

SMA Reverse

32R-000-000_TD**Electrical data**

Impedance	50 Ω
Frequency range	DC to 18 GHz
Return loss (cable connector straight)	≥ 26 dB (typ.)
Insertion loss	≤ 0.1 x √f [GHz] dB
Insulation resistance	≥ 5 GΩ
Center contact resistance	≤ 3 mΩ
Outer contact resistance	≤ 2 mΩ
Test voltage	1000 V rms
Working voltage	480 V rms
Power handling	200 W @ 2 GHz
RF-leakage - Interface	≥ 100 dB @ DC to 1 GHz

Mechanical data

Mating cycles	≥ 100
Coupling nut retention	≥ 180 N
Center contact captivation	axial: ≥ 20 N
Coupling test torque	≤ 0.6 Nm
Coupling torque recommended	0.5 Nm

Environmental data

Temperature range	-65 °C to +165 °C
Thermal shock	MIL-STD-202, Method 107, Condition B
Corrosion resistance	MIL-STD-202, Method 101, Condition B
Moisture resistance	MIL-STD-202, Method 106
Vibration	MIL-STD-202, Method 204, Condition B
Shock	MIL-STD-202, Method 213, Condition I
Max. soldering temperature (PCB connectors)	IEC 61760-1, +260 °C for 10 sec.

Materials

Connector parts	Material	Plating
Spring loaded contact parts	CuBe	Au
Center contact	CuZn	Au
Outer contact	CuZn	Au
Body	CuZn	Au
Coupling nut	CuZn	Au
Crimping ferrule	Cu	Au
Dielectric	PTFE	
Gasket	Silicon	

While the information (including technical data) has been carefully compiled to the best of our knowledge at the time of publication, the information is provided "AS IS" without warranties of any kind either express or implied. Apart from this, no statement herein shall be construed as recommendation to infringe existing patents. Individual values may deviate depending upon circumstances including but not limited to application, design, type of cable, assembly and workmanship. Furthermore, we reserve the right to change the design and technical specification of our products when deemed necessary.

Draft	Date	Approved	Date	Rev.	Engineering Change Number	Name	Date
Chr. Janßen	11.03.2019	Chr. Janßen	11.03.2019	a00	19-s083	J_Krautenbac	12.03.2019
Rosenberger Hochfrequenztechnik GmbH & Co. KG P.O. Box 1260 D-84526 Tittmoning Germany www.rosenberger.com					Tel. : +49 8684 18-0 Email : info@rosenberger.com		Page 2 / 2